



Project	
Nomenclature	
Type	Date
Approval	
Notes	

The B LSDH is a decorative linear architectural strip designed to be linked to other B LSDH fixtures and models and to be surface, suspended, or pendant mounted for a beautiful continuous lighting design suited for all applications such as offices, retail stores, and schools. This luminaire is an excellent solution for elegant, clean, and professional looking light sources.

### Luminaire Summary

#### Features

- Built for easy linking to other B LSDH fixtures, with customizable corner and transition elements to support creative, uninterrupted lighting designs
- 0-10V dimming standard
- Lumen packages are available from 250lm/ft to 2500lm/ft
- Available in 2700K, 3000K, 3500K, 4000K, 5000K and 6500K

#### Approvals

- ETL certified to UL Canada and United States standards
- Made with UL Listed components

#### Mounting

- Holes provided for surface and suspended mounting
- Knock-outs for row-mounting
- Pendant-mount brackets are available

#### Construction

- Manufactured in Ontario, Canada
- Powder-coated in high reflectance gloss white (other colours available)
- Precision bent for added strength and rigidity
- Welded end caps

#### Electrical

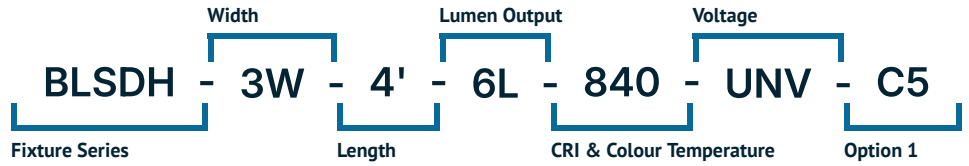
- Available in 120-277V, 347V and 120-347V

#### Options

- Wireless Controls Available
- 90 and 95+ CRI Options Available
- 120-347V(UN3) Available

### Ordering Information

Fill in the fields below with your product selections. If you need help with this section, [contact your local sales professional](#).



1	2	3	4	5	6	7
BLSDH						

Series	Width	Length	Lumen Output (per ft)	CRI	Colour Temp	Voltage
BLSDH	3W - 3 in	1' 1ft	0.25 250 lm	8 - 80CRI	27 - 2700K	UNV - 120-277V
	4W - 4 in	2' 2ft	0.50 500 lm	9 - 90CRI	30 - 3000K	347 - 347V
	6W - 6 in	3' 3ft	0.75 750 lm	1 - 95+ CRI	35 - 3500K	UN3 - 120-347V
		4' 4ft	1 1000 lm		40 - 4000K	
		5' 5ft	1.25 1250 lm		50 - 5000K	
		6' 6ft	1.5 1500 lm		65 - 6500K	
		7' 7ft	1.75 1750 lm			
		8' 8ft	2 2000 lm			
		9' 9ft	2.25 2250 lm			
		10' 10ft	2.5 2500 lm			
		C 2x2 Corner				
	CHV Chevron					

8						
---	--	--	--	--	--	--

### Options

#### Lenses

L18 Frosted Lens (standard)

#### Cords

- W3xx White 16/3 (Specify Length)
- WX3xx Black 18/5 (Specify Length)
- W4xx Black 16/3 (Specify Length)
- W\*\* Other Options Available\*

Key	Cord Length	Key	Cord Length
6	6FT	15	15FT
10	10FT	20	20FT

Ex. **W406** would be 16/3 Black, 6FT

#### Dimming

- B11 0-10V Dimming Leads
- B12 Line Voltage Dimming
- B27 Dim-to-off Driver
- B\*\* Other Options Available\*

#### Controls

- WC10 Encelium Wireless Controls
- WC18 NX Wireless Controls
- WC19 Avi-on Wireless Controls
- WC22 JDRF Wireless Controls
- WC\*\* Other Options Available\*

#### Motion Sensors

- W26 Photocell Motion Sensor
- W57 Dimming Motion Sensor (dims to 50% when unoccupied)
- W53\* On/Off
- W8\* High/Low
- WX16 Microwave Dimmable Sensor
- W\*\* Other Options Available\*

#### Emergency Driver

- B17 UL924 10W Battery Back-up
- F8 UL924 Emergency Relay

#### Finish

- BLANK Standard Gloss White
- C5 Matte Black
- CUSTOM\* Custom Colour Choice

#### Packaging

- BLANK Individually Boxed on Pallets
- P0 Bulk Packaging
- P\*\* Other Options Available\*

#### Mounting

- M1 V-Hangers
- M2xx V-Hanger with Aircraft Loop Cables
- M3xx Y-Toggle Aircraft Cables
- M24 Single Pendant Mount(3/4 Hub)
- M62xx Aircraft Loop Kits w/ Side Exit Cable Grippers
- M\*\* Other Options Available\*

Key	Aircraft Length	Key	Aircraft Length
5	5FT	15	15FT
10	10FT	20	20FT

Ex. **M305** would be Y-Toggle, 5FT

#### Canopy

- M35xx White canopy kits for T-bar or j-box mounting
- M61xx Black canopy kits for j-box mounting

#### Modular Wiring

- W27XYZC Modular Power Cable
- W22XY Molex Row Mounting Wiring

See page 7

#### Warranty

- CL7 10-Year Comprehensive Warranty Upgrade

### Documentation and Resources

All files and resources are available on our website for download. Files and resources are also embedded as links in this document, listed below. Additional files may be available upon request. Please contact your local sales agent [here](#) or contact [sales@bjtake.com](mailto:sales@bjtake.com) for more information.

BLS DH-4'-5L-840-L18

### Certifications and Listings

Certifications that apply to this fixture and its possible configurations are listed here. More information available upon request.

Icon	Description
	Wireless Controls Available
	ETL Listed
	90 and 95+ CRI Options Available
	120-347V(UN3) Available

### Usage Applications

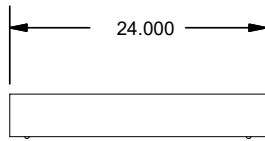
This fixture can be used in a variety of applications, and is ideal for the following:

Usage Application
Offices
Retail Stores
Schools

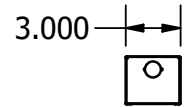
### Warranty Statement

BJ Take products are tested and/or inspected prior to being packaged for shipment and are guaranteed from the day the product is shipped for a period of ten-year LED chip warranty and a five-year comprehensive component warranty. This can be upgraded to a ten-year comprehensive warranty on request.

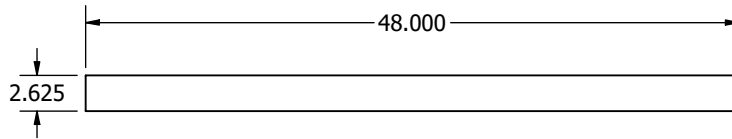
### B LSDH, 2 Foot Side Dims



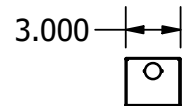
### 2FT End View



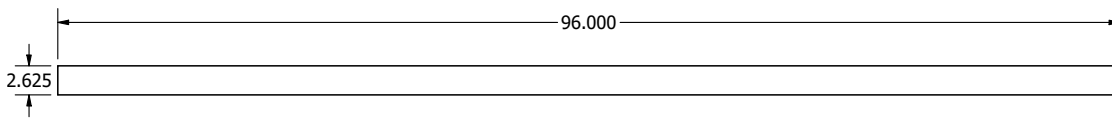
### B LSDH, 4 Foot Side Dims



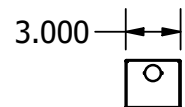
### 4FT End View



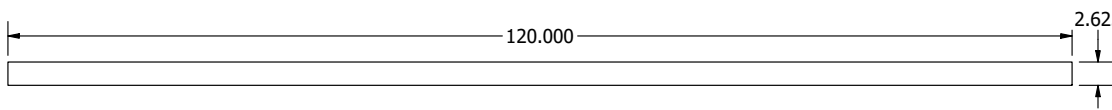
### B LSDH, 8 Foot Side Dims



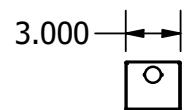
### 8FT End View



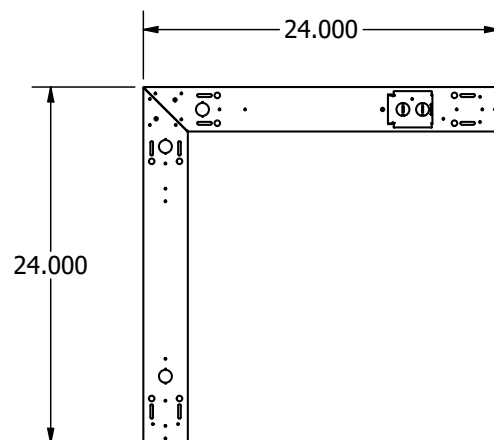
### B LSDH, 10 Foot Side Dims



### 10FT End View



### B LSDH, Corner Dimensions

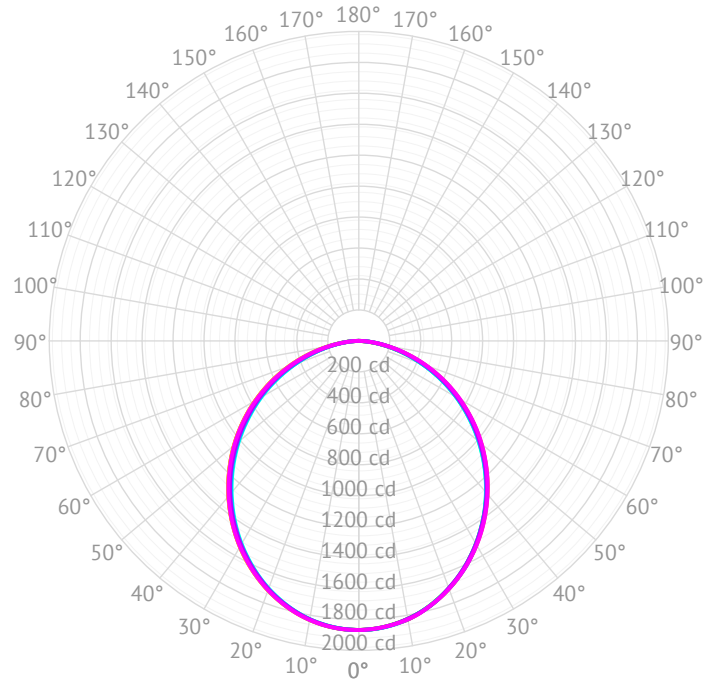


- \* Drawings aren't to scale
- \* Standard tolerances apply
- \* Specifications may change without notice

B LSDH-4'-5L-840-L18

Cone of Light

Mtg Height	Light Level	Beam Diameter
6.0 ft	51.9 fc	16.5 ft
8.0 ft	29.2 fc	22.0 ft
10.0 ft	18.7 fc	27.4 ft
12.0 ft	13.0 fc	32.9 ft
14.0 ft	9.5 fc	38.4 ft
16.0 ft	7.3 fc	43.9 ft

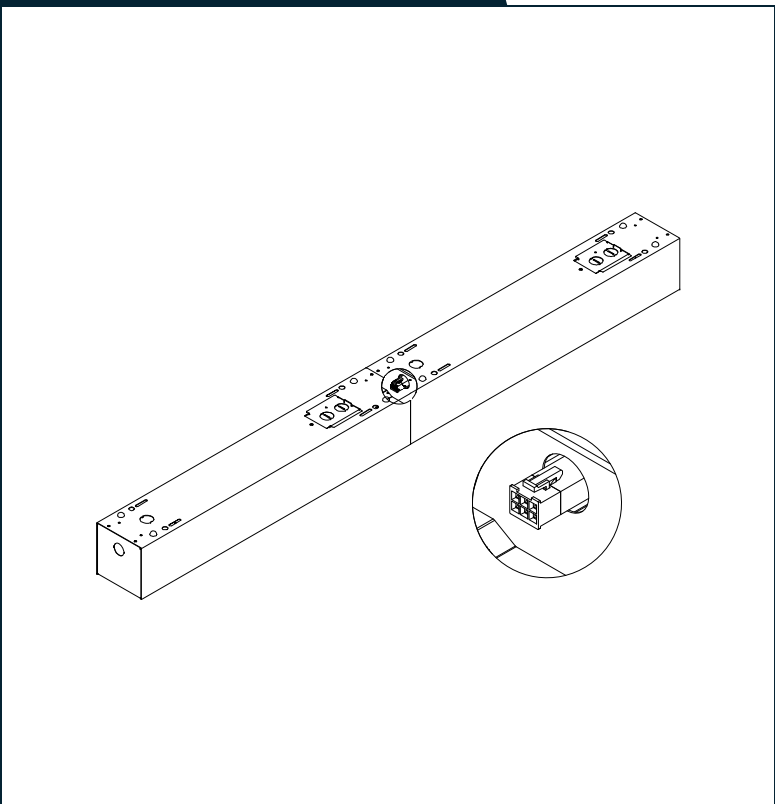


Based on B LSDH, 4 foot, 5000lm, 80 CRI, 4000K, w/ L18 Lens

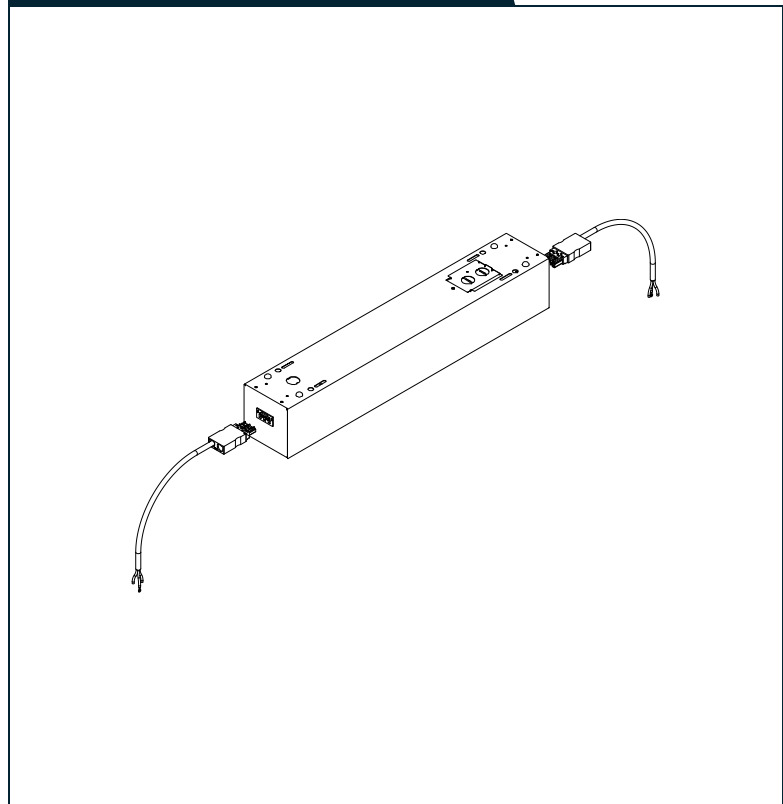
### Modular Wiring

The BLSDH has options for modular wiring. Below you will find the diagrams for these wiring options, and the relevant option codes necessary for ordering them.

### W22XY - Molex Row Mounting Wiring



### W27XYZC - Modular Power Cable



### W22XY - Molex Row Mounting Wiring

X - Style	Y - Poles
E - End	3 - 3 Pole
.	4 - 4 Pole
.	5 - 5 Pole
.	6 - 6 Pole

Example: **W22E6** (see image above)

### W27XYZC - Modular Power Cable

X - Style	Y - Poles	Z - Wiring	C - Colour
S - Side	3 - 3 Pole	Blank - Standard	Blank - White
E - End	4 - 4 Pole	E - End of Row	B - Black
T - Top	5 - 5 Pole	.	G - Grey
.	6 - 6 Pole	.	.

Example: **W27E3** (see image above)